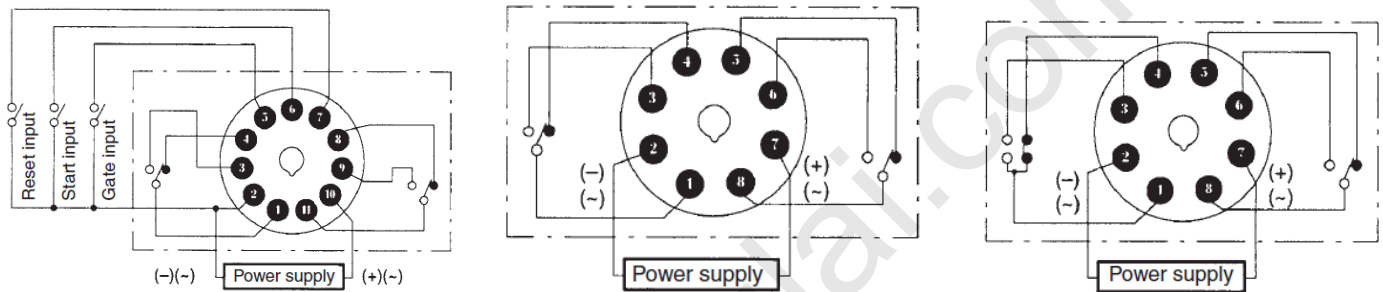


Multiple Operating Modes and Multiple Time Ranges. DIN 48 x 48-mm Multifunctional Timer with Wide AC/DC Power Supply Range.

- A wide AC/DC power supply range greatly reduces the number of timer models kept in stock.
- A wide range of applications with multiple operating modes, six modes for 11-pin models and four modes for 8-pin models.
- Ecological design with reduced current consumption.
- Easy sequence checking with instantaneous outputs for a zero set value.
- Length of 80 mm or less when panel-mounted with a P3GA-11 Socket
- Standards: EN 61812-1.



■ Wiring diagram



H3CR-A(Contact output)

H3CR-A8 (Contact output)

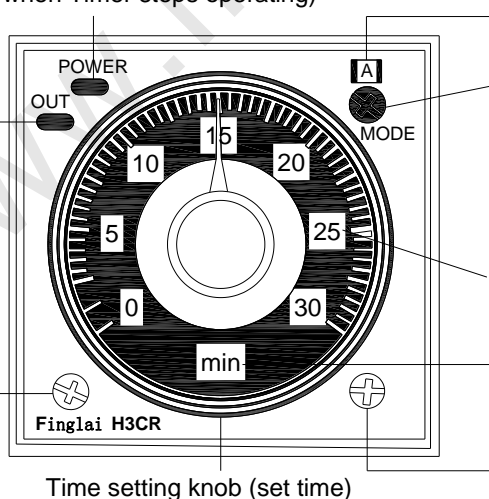
H3CR-A8E (L) (Contact output)

■ Nomenclature

Power indicator (green) (Flashes when Timer operates; lit when Timer stops operating)

Output indicator (orange) (Lit when output)

Time range selector (select one from 1.2, 3, 12 and 30 at full scale; with the H3CR-A? -301, select from 2.4, 6, 24, or 60 at full scale.)



Operating mode display window

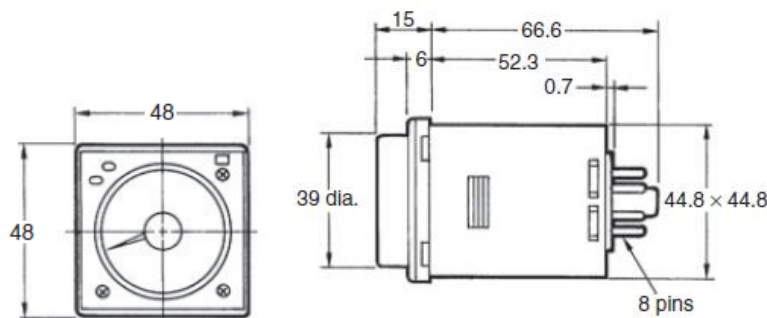
Operating mode selector
Select a mode from:
A, B, B2, C, D, and E (H3CR-A) A, B2, E and J (H3CR-A8 100-240VAC) , A and E (H3CR-A8 24-240VAC/DC)

Scale range display windows

Time unit display window

Time unit selector (select one from sec, min, hrs and 10h)

■ Dimensions



External dimension (11pin is same)

Perforation dimension