

JDM11-6H electronic counter manual

JDMU-6H electronic counter can be used as a control circuit's count component, its rated voltage is less than or equal to 220VAC or 36VDC, with a 6 digit 0.36 inch LED digital tube display. Adopt high-performance count chip, with an advantage of wide count range, stable and reliable performance, easy installation, etc.
Compliance: GB14048.5, JB/T8794-2010.

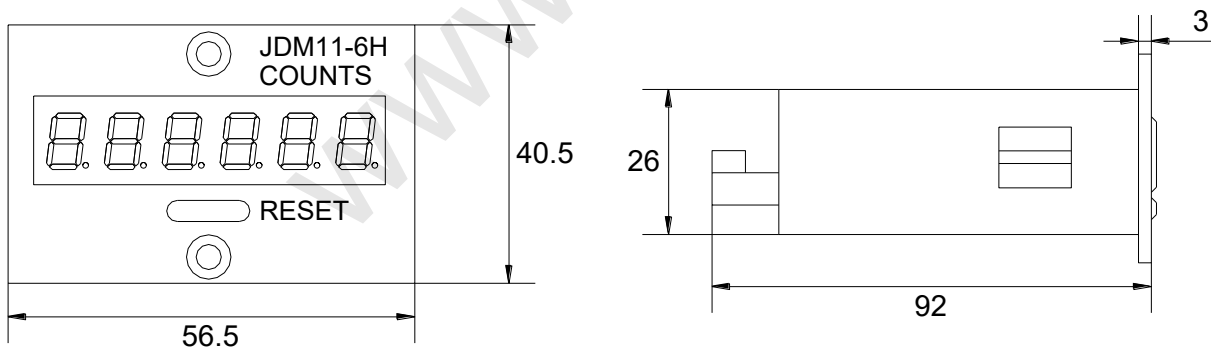
Model number legend

JDM	11	-	6H	-	□	-	□	-	□
Electronic counter	Design code		Counter digit: 6H-6 digital display		Input signal		Supply voltage		Input voltage (Just voltage input have)
					C: Contact		220V: 220VAC		220V: 220VAC
					SN: Sensor (NPN)		110V: 110VAC		110V: 110VAC
					SP: Sensor (PNP)		24V: 24VAC/DC		24V: 24VAC/DC
					V: Voltage (level)		12V: 12VAC/DC		12V: 12VAC/DC

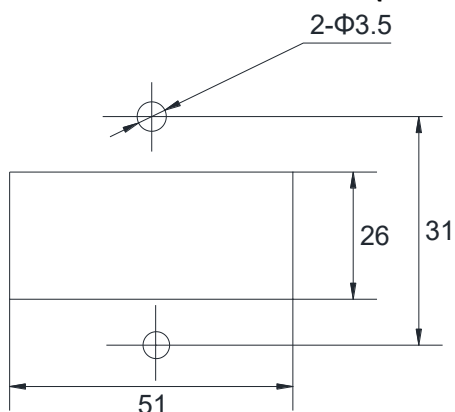
Main technical parameters

1. Supply voltage: according to case label
2. Power consumption: 3VA max
3. Counting range: 1-999999
4. Counting speed: 10 cps (count pulse width $\leq 50\text{ms}$)
5. Input signal: contact, level, NPN sensor, PNP sensor, can be selected
6. Counting error: ≤ 1
7. Reset time: $\geq 0.5\text{s}$
8. Power reset: $\geq 1\text{s}$
9. Reset mode: press the panel pushbutton
10. Not have output control
11. No-power memory: 10 years min
12. Net weight: about 70g
13. Perforation dimensions: 51x26mm max
14. Mounting type: Panel
15. Operating temperature: -5 to 45 °C

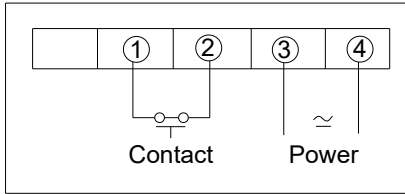
External dimensions (Unit: mm)



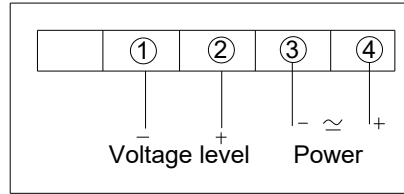
Perforation dimensions (Unit: mm)



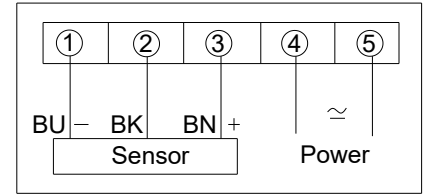
■ Wiring diagram



Contact input



Level input



Sensor input

■ Use description

1. The counter has No-power memory function: when the counter is working, the power is off, the data can be remained for 10 years, when the power is on next time, the counting will be continued.
2. Panel reset: If you need the counter counted from 0, can press the panel reset pushbutton, it will be reset.
3. The count pulse width is greater than or equal to 50ms.
4. When the input signal is passive contact, the count speed is low.
5. When the input signal is sensor: the sensor should be DC6-36V
6. The count signal input line should be as short as possible, and avoid to put it together with other lines (such as power lines) in one tube or twisting, use the double shielded cable if necessary.