

DH48J digital counter manual

DH48S adopt advanced IC and digital tube, can replace H7CN or such function products. With advantage of beautiful appearance, wide delay time range, high accuracy, low power consumption, long life, big contact rating, used for automatic control.

Model description

DH48J: can be input by electromagnetic relay, limit switch, etc, with reset function;

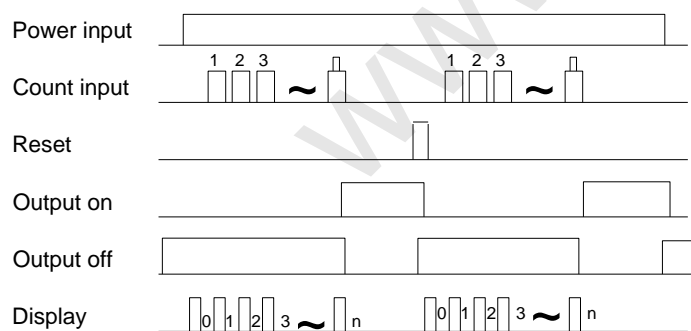
DH48JA: can be input by proximity sensor, photoelectric sensor, etc;

DH48J-11A: can be input by electromagnetic relay, limit switch, proximity sensor, photoelectric sensor, etc, with reset function, no-power memory can remain 10 year.

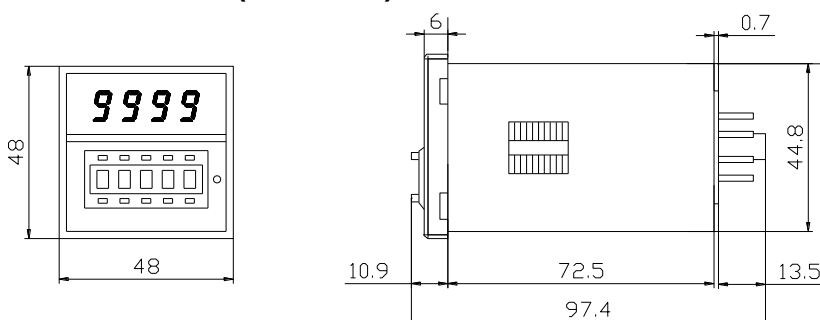
Features

1. Power supply tolerance: 85-110% rated voltage
2. AC: 110V, 220V, 380V
3. DC: 12V, 24V
4. Counting range: 1-9999 x1/x10/x100 multiple
5. Contact rating: 5A@220Vac, 5A@30Vdc(Resistance)
6. Mechanical life: $\geq 10^7$
7. Electrical life: $\geq 10^5$
8. Power consumption: $\leq 5W$
9. Operating temperature: $-10^{\circ}C$ to $50^{\circ}C$
10. Operating humidity: 95% RH max, non-condensing
11. Above sea level: $< 2000m$
12. Max. counting speed: 30 cps
13. Min. counting pulse: 15ms

Sequence diagram

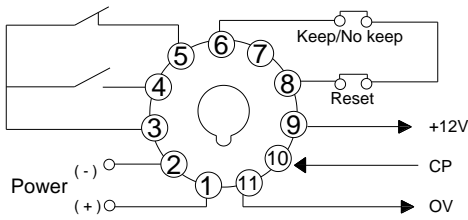


Dimensions (Unit: mm)

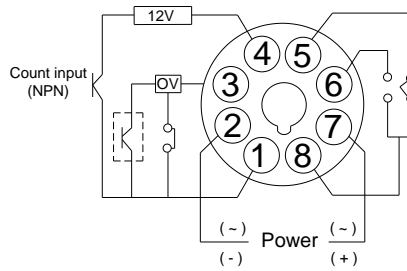


Note: Perforation dimension 45.5x45.5 mm

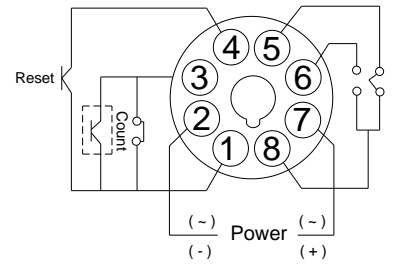
■ Wiring diagram



DH48J-11A

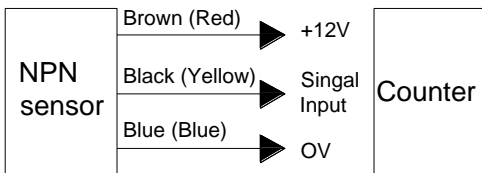


DH48JA



DH48J

■ NPN type sensor input for DH48J-11A, DH48JA



■ Use description

1. Preset multiple first, then press reset button, or disconnect the power more than 0.5 seconds then turn on the power, so that complete preset. (If the multiple is x10, it means input 10 input signal, display digital increase 1).
2. In a strong current environment, if the reset and signal wires are long, please use a shielded wire.
3. DH48J-11A, DH48JA 12V DC power output can be used for sensor supply, current is < 30mA.
4. When the DH48J-11A's ⑥ and ⑦ terminals switch on, it mean not keep memory, otherwise mean keep.
5. When the count reaches to preset number, the relay contact transposition, stop counting.
6. It is forbidden to add external voltage to reset, counting and memory terminals.
7. Can be customized.